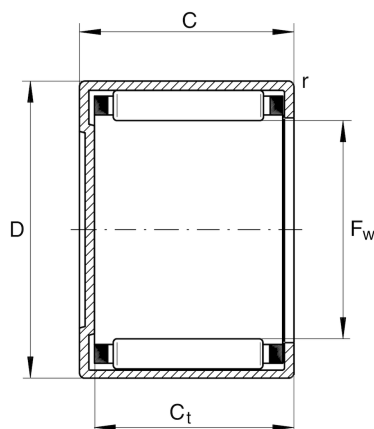
**BK0912-B**

Drawn cup needle roller bearing closed end

Schaeffler ID:
0011978000000Drawn cup needle roller bearings with
closed end BK, to DIN 618/ISO 3245

Technical information

**Main Dimensions & Performance Data**

F_w	9 mm	Under roller diameter
D	13 mm	Outside diameter
C	12 mm	Width, outer ring
C_r	5,300 N	Basic dynamic load rating, radial
C_{0r}	6,300 N	Basic static load rating, radial
C_{ur}	870 N	Fatigue load limit, radial
n_G	26,500 1/min	Limiting speed
$n_{G \text{ Grease}}$	16,000 1/min	Limiting speed for grease lubrication
n_{gr}	20,200 1/min	Reference speed
	4.56 g	Weight

Additional information

r_{min}	0.4 mm	Minimum chamfer dimension
	GR9X13X3	Sealing ring
$C_{t \text{ min}}$	10.4 mm	Minimum width to base of drawn cup with closed end
	G9X13X3	Sealing ring 2
	IR6X9X12-XL	Suitable inner rings IR

Temperature range

T_{min}	-30 °C	Operating temperature min.
T_{max}	140 °C	Operating temperature max.